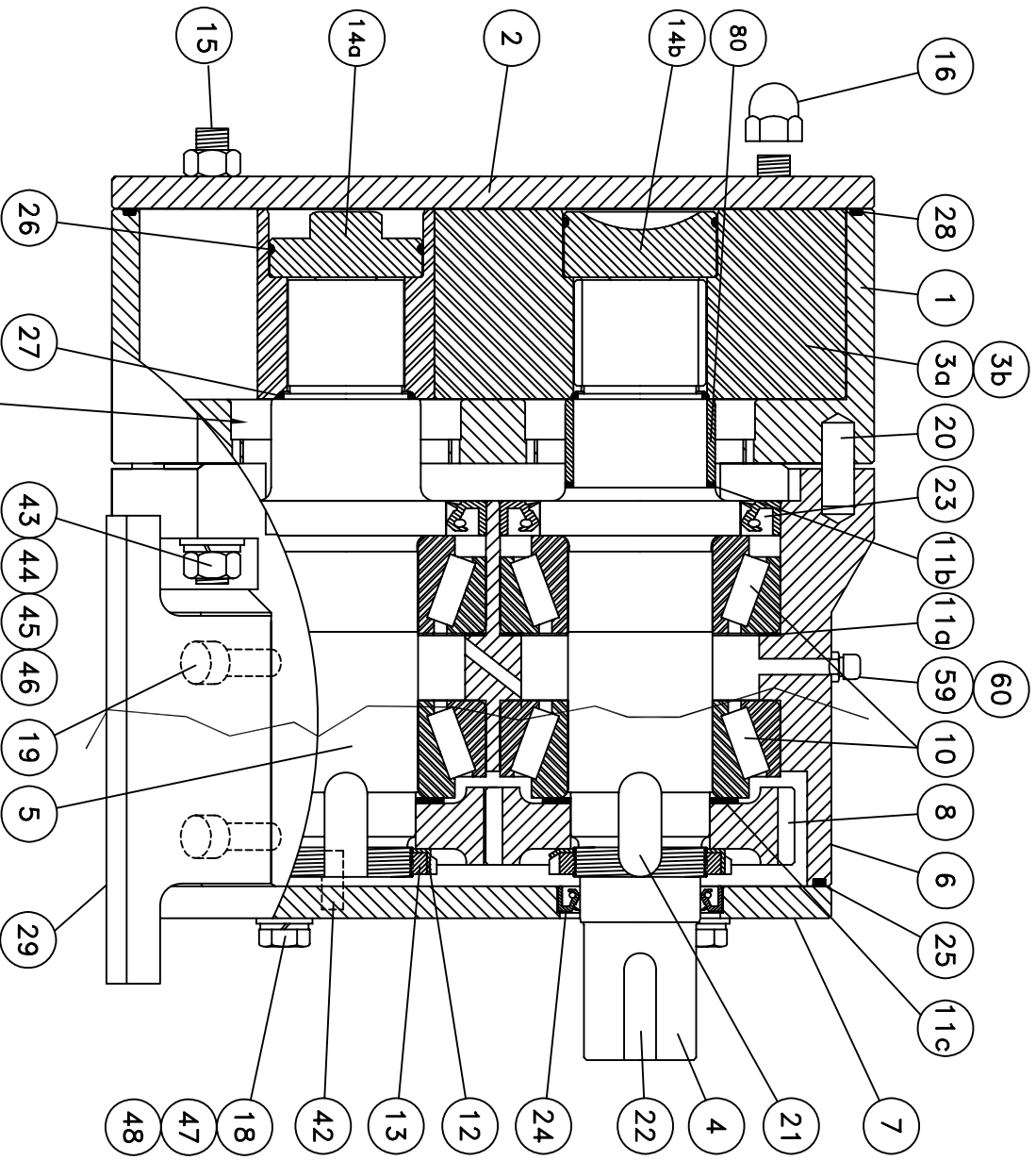
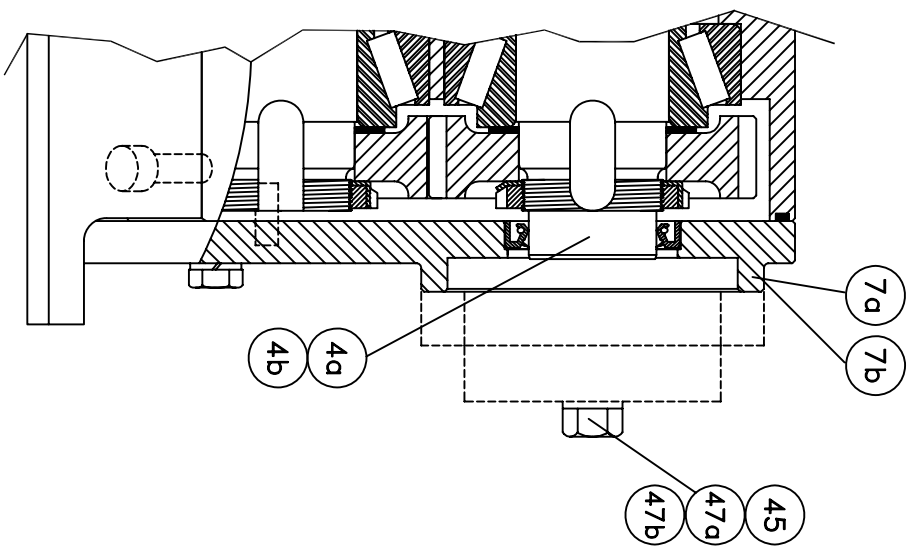


PTO DRIVE



SEE DWG. G812B FOR  
SHAFT SEAL PARTS

HYDRAULIC DRIVE



REGISTERED DESIGN: PATENTS PENDING

MATERIAL

FINISH (UNLESS NOTED ON DWG.)

WEIGHT

THE DRAWING AND ALL INFO INCORPORATED IN THE DESIGN IS THE EXCLUSIVE PROPERTY OF UNIBLOC PUMP, INC. FOR THE SOCIETY OF MANUFACTURERS AN ASSOCIATION OF MANUFACTURERS. NO OTHER REPRODUCTION OR DISSEMINATION OF THIS DRAWING OR ANY INFORMATION CONTAINED HEREIN IS PERMITTED WITHOUT THE WRITTEN PERMISSION OF UNIBLOC PUMP, INC.

**UNIBLOC® PUMP, INC.**  
DWG. TITLE UNIBLOC-PD PUMP PARTS LIST  
SIZE 501, 551, 576  
RELEASE DATE

DWG. NO. G807

BY JPZ  
DATE  
CHECKED  
APPRD.  
SCALE NONE

ALL DIMENSIONS IN MM  
SHEET 1 OF 2

	60	1	Oil Plug
	59	1	Vent
4534-2	48	4	Split Washer
	47b	2	Danfoss Motor Bolt
	47a	2	Charlynn Motor Bolt
	47	4	Washer
	46	4	Gearbox Stud
4535-2	45	6	Split Washer
	44	4	Washer
4431-2	43	4(8)	Hex Nut
4605	42	2	Dowel Pin
3817	29	2	Foot
4235	28	1	Cover o-ring
4233	27	2	Rotor-shaft o-ring
4232	26	2	Rotor-Bolt o-ring
4239-N	25	1	Gearbox Cover o-ring
4130	24	1	Rear Oil Seal
4135	23	2	Front Oil Seal
4716	22	1	Drive Shaft Key
4717	21	2	Key
4615	20	2	Dowel Pin
	19	4	Foot Bolt
	18	4	Cover Bolt
4430-2	16	4	Dome Nut
	15	4	Front Cover Stud
3381-1L	14b	2	Rotor Bolt (Slotted)
3380-1L	14a	2	Rotor Bolt (Hex)
4432	13	2	Slotted Nut
4515	12	2	Tab Washer
	11c	2	Gear Alignment shim
	11b	2	Sleeve shim ring
3671	11a	2	Shim ring
3765	10	4	Front & Rear Bearing
3617	8	2	Gears
3584	7b		Bearing Housing cover
3583	7a		Bearing Housing cover
3585	7	1	Bearing Housing cover
3532	6	1	Bearing Housing
3239B	2	1	Rotor Housing cover
3237	2	1	Rotor Housing cover
3236	2	1	Rotor Housing cover
PART NO.	NO.	PCS.	DESCRIPTION

PUMP SIZE 501, 551, 576

3702B-1L	For Wear Sleeve	5	1	Lay Shaft
3699B-1L	PTO Drive (Wear Sleeve)	4	1	Drive Shaft
	Charlynn Drive(Wear Sleeve)	4a	1	Drive Shaft
3701B-1L	Danfoss Drive (Wear Sleeve)	4b	1	Drive Shaft
3332-1L	Class E Bi-Lobe Rotor	3a	2	SS Rotor
8412-1L	Class E Tri-Lobe Rotor	3b	2	SS Rotor
3164-1	2.5" Tri-Clamp Conn. ***	1	1	Rotor Housing
PART NO.	DETAILED DESCRIPTION	NO.	PCS.	DESCRIPTION
PUMP SIZE 501				


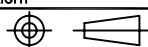
3698B-1L	For Wear Sleeve	5	1	Lay Shaft
3695B-1L	PTO Drive (Wear Sleeve)	4	1	Drive Shaft
3696B-1L	Charlynn Drive(Wear Sleeve)	4a	1	Drive Shaft
3697B-1L	Danfoss Drive (Wear Sleeve)	4b	1	Drive Shaft
3335-1L	Class E Bi-Lobe Rotor	3a	2	SS Rotor
8442-1L	Class E Tri-Lobe Rotor	3b	2	SS Rotor
3168-1	3" Tri-Clamp Conn. ***	1	1	Rotor Housing
PART NO.	DETAILED DESCRIPTION	NO.	PCS.	DESCRIPTION
PUMP SIZE 551				

3706B-1L	For Wear Sleeve	5	4	Lay Shaft
3703B-1L	PTO Drive (Wear Sleeve)	4	1	Drive Shaft
3704B-1L	Charlynn Drive(Wear Sleeve)	4a	1	Drive Shaft
3705B-1L	Danfoss Drive (Wear Sleeve)	4b	1	Drive Shaft
3338-1L	Class E Bi-Lobe Rotor	3a	2	SS Rotor
8472-1L	Class E Tri-Lobe Rotor	3b	2	SS Rotor
3178-1	3" Tri-Clamp Conn. ***	1	1	Rotor Housing
PART NO.	DETAILED DESCRIPTION	NO.	PCS.	DESCRIPTION
PUMP SIZE 576				

\*\*\*  
Connections Also Available in:  
- ACME  
- DIN 100  
- DIN 80  
- RST  
- SMS  
- NPTM  
- CAMLOC

Also Available in 4"

REGISTERED DESIGN: PATENTS PENDING

MATERIAL		BY		DATE
		DRAWN		
FINISH(UNLESS NOTED ON DWG.)		CHECKED		
		APP'D		
WEIGHT		SCALE		NONE
		ALL DIMENSIONS IN MM		
<small>THIS DRAWING AND ALL IDEAS INCORPORATED IN ITS DESIGN IS THE EXCLUSIVE PROPERTY OF FLOWTECH, INC. ITS ACCEPTANCE CONSTITUTES AN AGREEMENT THAT IT SHALL BE TREATED AS A CONFIDENTIAL DOCUMENT USED FOR NO OTHER PURPOSE THAN TO AID IN ITS CONSTRUCTION. THAT IT IS TO BE RETURNED UPON REQUEST, AND THAT IT IS NOT TO BE DISCLOSED OR COPIED EXCEPT AS AUTHORIZED IN WRITING BY FLOWTECH, Inc.</small>		 FLOWTECH Div. USA		DWG. TITLE
				UNIBLOC-PD PUMP PARTS LIST
		SIZE		DWG. NO.
		501,551,576		G807
RELEASE DATE		SHEET 2 OF 2		