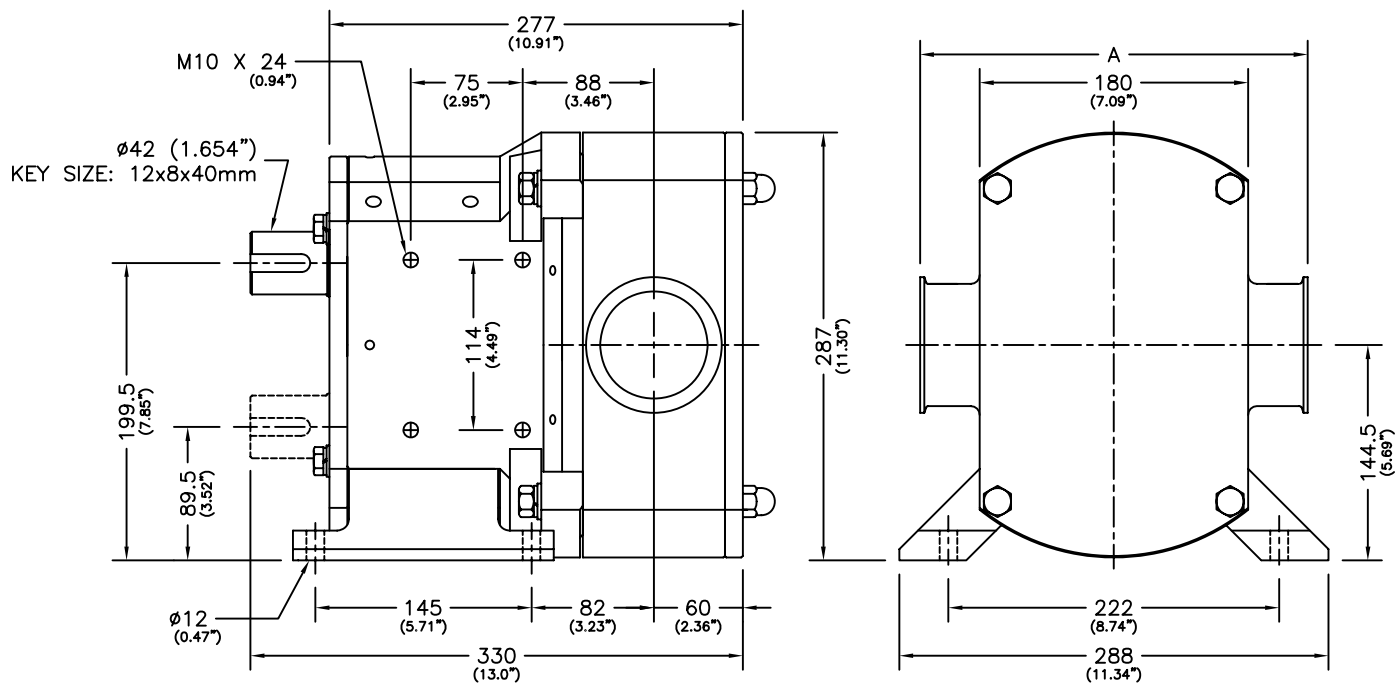
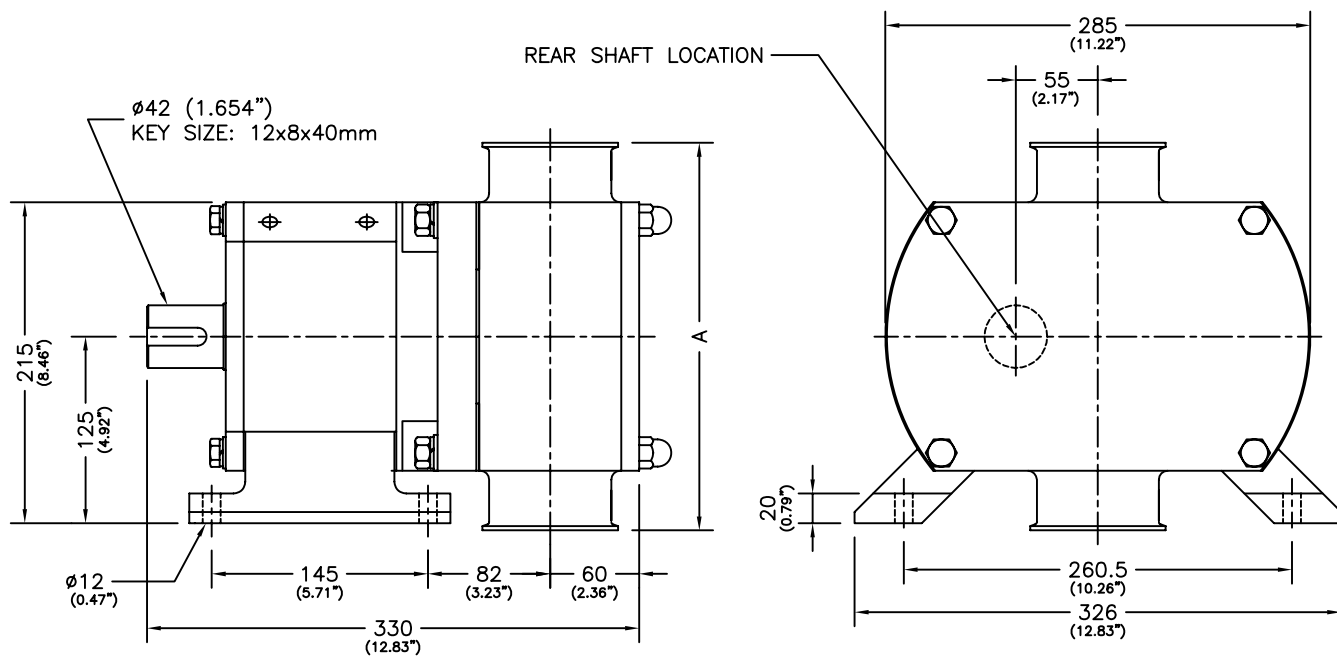



REVISIONS			
REVISION	DESCRIPTION	DATE	BY



HORIZONTAL THROUGH-PUT



VERTICAL THROUGH-PUT

PORT TYPE	PORT SIZE	A		<small>THIS DRAWING AND ALL IDEAS INCORPORATED IN ITS DESIGN IS THE EXCLUSIVE PROPERTY OF FLOWTECH, INC. ITS ACCEPTANCE CONSTITUTES AN AGREEMENT THAT IT SHALL BE TREATED AS A CONFIDENTIAL DOCUMENT USED FOR NO OTHER PURPOSE THAN TO GO IN ITS CONSTRUCTION, THAT IT IS TO BE RETURNED UPON REQUEST, AND THAT IT IS NOT TO BE DISCLOSED OR COPIED EXCEPT AS AUTHORIZED IN WRITING BY FLOWTECH, INC.</small>	 <small>FLOWTECH DIV. USA</small>		
		mm	in.		BY	DATE	DWG. TITLE
SANITARY TRICLAMP	3"	260	10.2			GENERAL DIMENSIONS	
DIN 11851	DN 80	260	10.2				
IDF	3"	260	10.2			SIZE	
SMS 681	NW 76	260	10.2				551
RJT	3"	260	10.2			DWG. NO.	D551
				ALL DIMENSIONS IN MM		RELEASE DATE	SHEET 1 OF 1